



The attached are JELD-WEN's recommended installation instructions for Premium Atlantic Vinyl windows which incorporate an integral nailing fin. While the use of these installation instructions is recommended, installation in strict compliance with AAMA specifications (2400-02) is an alternate method of window installation. Use of the AAMA specifications (2400-02) will not affect application of the JELD-WEN limited warranty.

Newer construction methods have led to an increase in air and water tightness in buildings. This frequently leads to negative air pressure inside the home, which can draw water through very small openings. Our installation method integrates the window with the weather barrier (typically building wrap).

IMPORTANT INFORMATION & GLOSSARY

Any local building code requirements supersede the recommended installation instructions.

Please Note! Installation such that the window sill is higher than 35 feet above ground level or any window installation into a wall condition not specifically addressed in this poster or the full instructions must be designed by an architect or structural engineer.

Failure to install square, level and plumb could result in denial of warranty claims for operational or performance problems.

For muller units, refer to the anchor documentation with the muller packet.

GLOSSARY

Muller Unit

Two or more window units structurally joined together.

Estimated Install Time for New Construction	<input type="checkbox"/> First Time: 40 min.	
	<input type="checkbox"/> Experienced: 25 min.	
	<input type="checkbox"/> Professional: 15 min.	

Shiplap

The layering method in which each layer overlaps the layer below it so that water runs down the outside.

Weep Hole (weep channel)

The visible exit or entry part of a water drainage system used to drain water out of a window.

SAFETY & HANDLING

SAFETY

- Do not work alone.
- Use caution when handling glass. Broken or cracked glass can cause serious injury.
- Wear protective gear as necessary.
- Read and fully understand ALL manufacturers' instructions before beginning.

WINDOW HANDLING

- Handle in vertical position; do not drag on floor.
- Store window in dry, well-ventilated area in vertical, leaning position to allow air circulation; *do not stack horizontally.*
- Do not put stress on joints, corners or frames.
- Protect from exposure to direct sunlight.
- Install only when conditions and sheathing are **completely dry.**

IF INJURY OCCURS, IMMEDIATELY SEEK MEDICAL ATTENTION!

NEEDED MATERIALS & TOOLS

MATERIALS

- #10 wood screws; screws must penetrate at least 1 1/2" into framing
- Shims
- JELD-WEN Drain mat material (part #08988) or equivalent
- JELD-WEN 6" wide self-adhesive flashing (part #08987) or equivalent, or flexible flashing (Width requirement may vary according to local code)
- 3/8" stainless steel square wire staples

- Sealant (polyurethane if painted, 100% silicone, neutral cure, if left exposed)

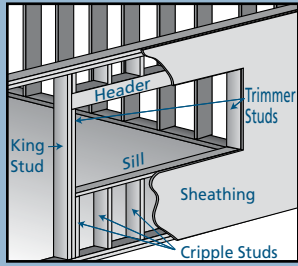
Note! Follow all material manufacturers' instructions for proper use.

Note! Under extreme conditions (see section 5 for definition), use spray adhesive or primer as recommended by the flashing manufacturer.

TOOLS

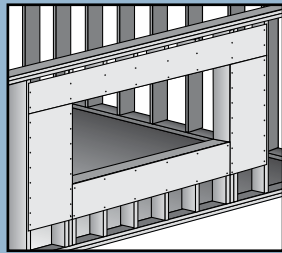
- Tape measure
- Caulking gun
- Drill/driver
- Level
- J-roller
- Utility knife
- Construction stapler

ROUGH OPENINGS



Sheathed Wall

Open-Stud with Backing



This installation guide specifically addresses sheathed wall and open-stud construction.

FULLY SHEATHED WALL CONSTRUCTION

The wall framing is covered by sheathing and the window will be mounted with the nailing fin flush against the sheathing.

OPEN-STUD INSTALLATION

The wall framing needs to be covered by backing support before the window can be installed. The window will be mounted with the nailing fin flush against the applied backing support.

This backing support should be a non water-degradable, thin (max. 1/8" thick) sheet material such as vinyl sheathing. Completely surround the rough opening with the backing support as shown. Backing support must be applied before building wrap.

Note! For curved windows, ensure framing is sufficient around window perimeter to allow nailing fin to be fastened every 8" to the framing.

1 REMOVE PACKAGING & INSPECT YOUR WINDOW

REMOVE PACKAGING

Remove shipping materials such as corner covers, shipping blocks or pads. If there is a protective film on the glass, do not remove it until installation and construction are complete. Leave all glass rating stickers on the window until after window has been inspected (building inspectors may not pass window without these stickers).

INSPECT YOUR WINDOW

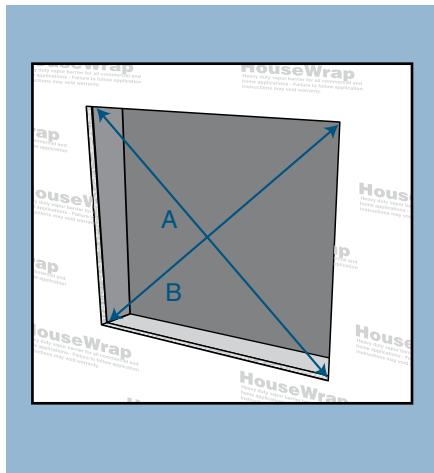
- Cosmetic damage
- Product squareness (diagonal measurements no more than 1/4" difference)

- Correct product (size, color, grid pattern, handing, glazing, energy-efficiency requirements, etc.)
- Cracked frame
- Splits, cracks or missing sections in nailing fin longer than 6"
- Cracks, holes or other damage to nailing fin within 1/2" of window frame

If any of the above conditions represent a concern, contact your dealer or distributor for recommendations.

2 INSPECT ROUGH OPENING

- Verify the width and height of the window are each 1/2" smaller than the rough opening width/height.
- Verify the rough opening is square. The "A" and "B" measurements above should be the same. Maximum allowable deviation from square is 1/8" for windows 20 sq. ft. and smaller, and 1/4" for windows larger than 20 sq. ft.



- Verify the rough opening is level and plumb. The maximum allowable deviation is 1/16" for every 2' of rough opening (not to exceed 1/8").
- The rough opening sill must not be crowned or sagged.
- The exterior face of the rough opening must be in a single plane with less than 1/8" twist from corner to corner.
- The header must be supported by trimmer studs.

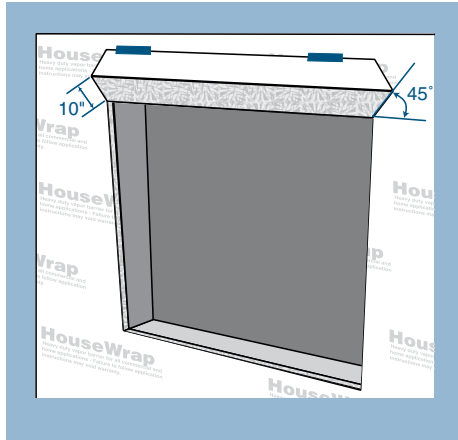
3 PREPARE ROUGH OPENING

FOR RETROFIT INSTALLATIONS

- After removing sufficient siding to expose at least 9" of intact building wrap, remove old window.
- If damaged, apply new building wrap in shiplap manner.
- Verify trimmer studs/header are structurally sound.
- Continue with the instructions.

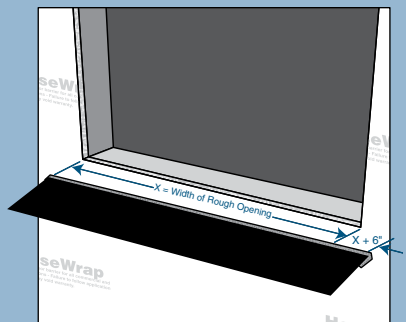
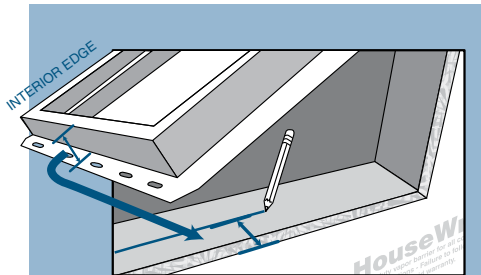
PREPARE BUILDING WRAP

- Trim building wrap flush at rough opening head, sides and sill. Check with your building wrap manufacturer to verify that this does not void their product warranty.
- At the head, cut building wrap 10" at 45 degrees. Tape up as shown.

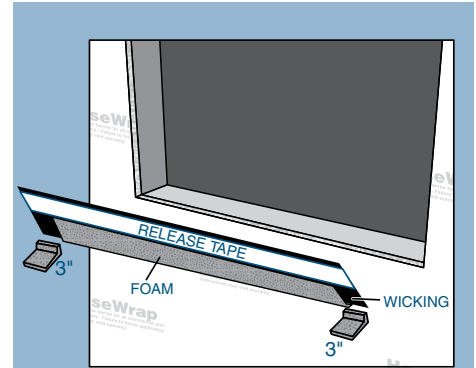


PREPARE SILL

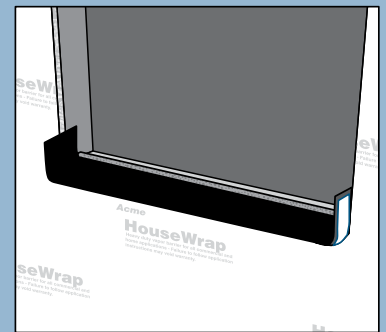
1. Measure distance between nailing fin and interior edge of window frame and add 1/8". Transfer that measurement to the rough opening sill as shown. This is where the back of the JELD-WEN drain mat will sit.



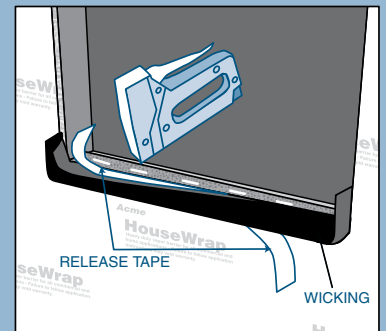
3. Trim off 3" of foam on each end of the JELD-WEN drain mat. Be sure not to cut into the drain mat material.



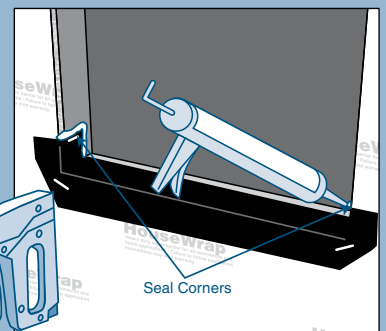
4. Place drain mat on rough opening sill, wrapping the drain mat up 3" on each jamb as shown.



5. Lift up the back of the wicking and staple into place on the sill.



6. Pull release tape and set JELD-WEN drain mat into place.



7. Fold the drain mat down onto the sheathing. Staple drain mat to the wall and seal the corner edges as shown.

Note! Do not trim the backdam of the drain mat.

IF USING FLEXIBLE FLASHING

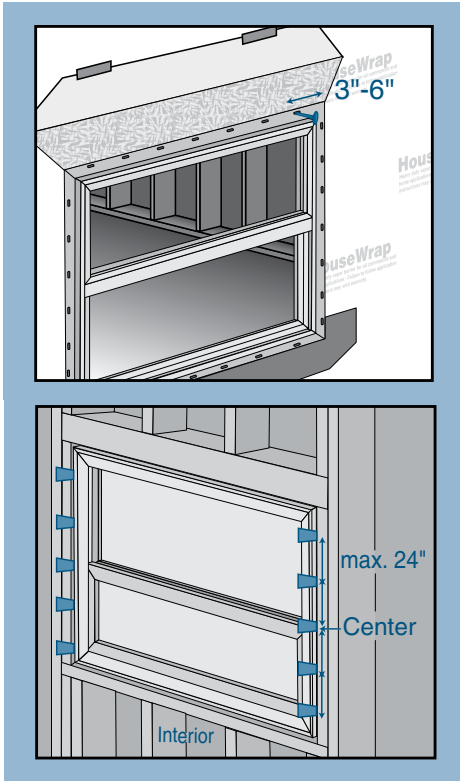
- Apply a 3/8" bead of sealant behind the nailing fin at top and sides.

Note! Do not apply sealant behind the nailing fin at the bottom.

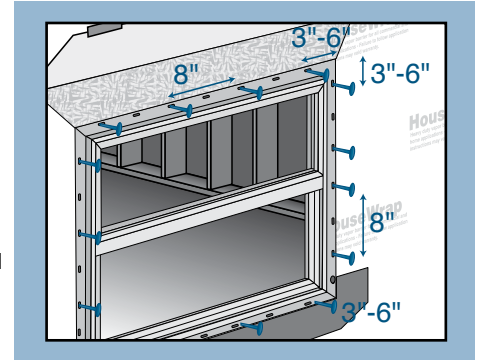
4 INSTALL WINDOW

Caution! To avoid injury, use a minimum of two people to install.

1. Place shims on sill 6" from each corner using 1/8" shims. The shims will support the window while installing, and will be removed after installation.
2. Place window into the rough opening.
3. Fasten window with a #10 screw through a nailing fin hole between 3"-6" from one upper corner.
4. Shim side jambs evenly spaced no more than 24" apart for an even reveal. Secure shims with structural adhesive.
5. Level window at the head, then fasten the other upper corner.



6. Check window for plumb, then fasten window at the fixed rails. Remove the shims at the sill.
7. Fasten window through nailing fin holes 3"-6" from the remaining corners and 8" apart all the way around the window.



Note! Fastener heads must be flush. Do not dent nailing fin.

8. Test window for proper operation (remove and reinstall if necessary).

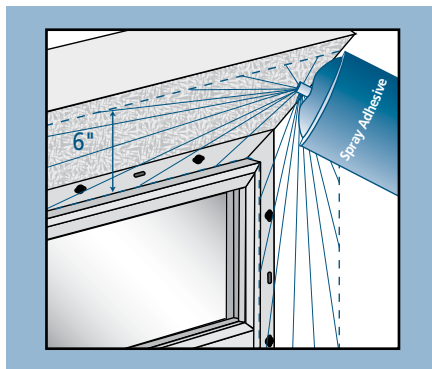
5 FLASH WINDOW

CUT FLASHING

- Cut three pieces of 6" self-adhesive flashing as follows:
- One header piece 14" longer than the header
 - Two side pieces 12" longer than the side

PRIMER

- If using JELD-WEN self-adhesive flashing in extreme conditions, apply primer per manufacturer's instructions to nailing fin, sheathing and building wrap at the sides and head of the window as shown.
- Protect window from overspray.



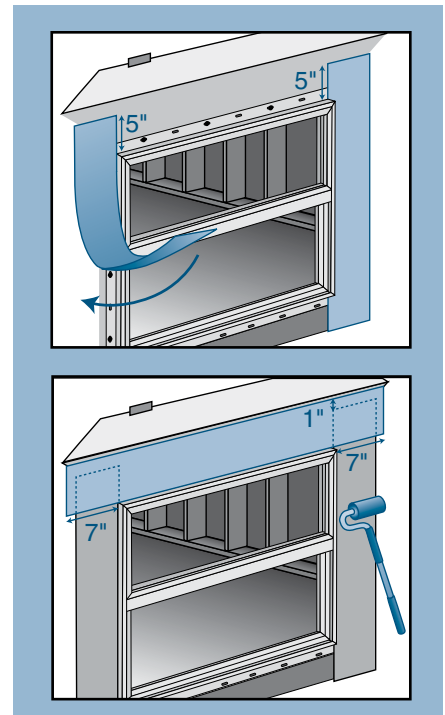
Note! Extreme conditions exist where the outside temperature is at or below 32° F (0° C), on excessively dirty surfaces, on Dens-Glass Gold, on concrete, on damp surfaces and/or where frost is present.

- The flashing manufacturer's recommended primer is Protecto Wrap Safseal Systems 5500 primer.

APPLY SELF-ADHESIVE FLASHING IN THIS ORDER

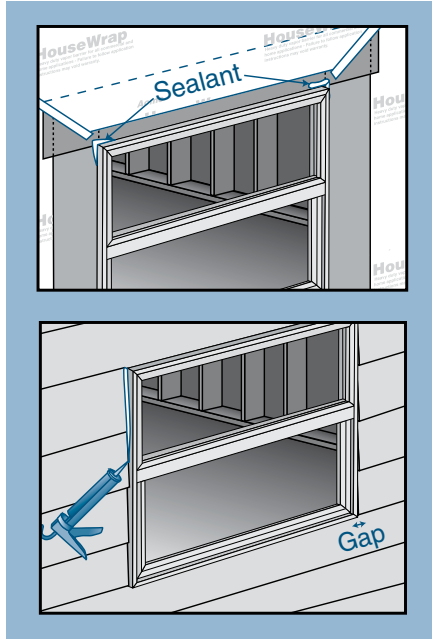
Note! Keep the edge of the JELD-WEN self-adhesive flashing as close to the window frame as possible.

1. Apply the side pieces starting 5" above the header.
2. Center and apply the header piece above the header.
3. Press the flashing down with a j-roller.



6 COMPLETE INSTALLATION

1. Seal the top corners of the window with a 1/4" bead of sealant. Tool into a fillet shape.
2. Release the building wrap from above the header (previously taped up) and overlap the header flashing. Seal the ends with self-sealing flashing or building wrap tape.
3. Ensure weep holes/channels are clear of debris for proper water drainage; do not seal weep holes/channels if present.



AFTER INSTALLATION

1. Install exterior wall surface within seven days of window installation.
2. Maintain gap of 1/4"-3/8" between window frame and final exterior wall surface (siding, stucco, etc.).
3. Seal the gap with backer rod and sealant. Do not apply sealant on top of window frame or drip cap if present.
4. On the interior, seal the void between the rough opening and the window frame with backer rod and sealant, or with low expansion foam. Do not use high-expansion foam as this may cause frame deflection.
5. Adjust window for best operation.
6. Protect recently installed units from damage from plaster, paint, etc. by covering the unit with plastic.

Note! For integral J-channel vinyl product installed into a structure with shiplap siding, no expansion/contraction joint is needed.

IF USING FLEXIBLE FLASHING

- Mechanically fasten flashing.
- Apply sealant down sides where the window meets the flashing. "Tool" or smooth out the sealant.

Please visit our website at www.jeld-wen.com/resources to download a copy of the complete guide to care and maintenance for your window.

Thank you for choosing

